

## LPS350 Series

350 Watts

### Data Sheet

**Total Power:** 350 Watts  
**Input Voltage:** 85-264 Vac  
 120 - 300 Vdc  
**# of Outputs:** Single

### SPECIAL FEATURES

- Active power factor correction
- IEC EN61000-3-2 compliance
- Remote sense on
- Power fail and remote inhibit
- Single wire current sharing
- Built-in EMI filter
- Adjustable floating 4th output
- 2 Supervisory output 5 V and 12 V
- Overvoltage protection
- Overload protection
- Thermal overload protection
- DC power good
- 130 KHz switching frequency
- Optional with fan cover -CF
- Cover -C
- Optional end-mounted fan -CEF

### SAFETY

<b>VDE</b>	0805/EN62368 (IEC950) 21310-3336-0001
<b>UL</b>	UL1950 E186249
<b>CSA</b>	CSA 22.2-234 Level 5 LR109492C
<b>NEMKO</b>	EN 62368/EMKO-TUE P98102115 (74-sec) 203
<b>BABT</b>	EN62368/BS7002 608857, 608858, 609097
<b>CB</b>	Certificate and report 5734, 6280, 6281
<b>CE</b>	Mark (LVD)



### Electrical Specifications

#### Input

Input range	85 - 264 VAC; 120 - 300 VDC
Frequency	47 - 440 Hz
Inrush current	38 A max, cold start @ 25 °C
Efficiency	75% typical at full load
EMI filter	FCC Class B conducted and radiated CISPR 22 Class B conducted and radiated EN55022 Class B conducted and radiated VDE 0878 PT3 Class B conducted and radiated
Power factor	0.99 typical
Safety ground leakage current	0.5 mA @ 50/60 Hz, 264 VAC input

#### Output

Maximum power	With cover: 350 W with 30 CFM forced air, (-C) (-CF) (-CEF)
Adjustment range	2:1 wide ratio
Supervisory output	5 V @ 500 mA regulated, 12 @ 150 mA x2
Hold-up time	20 ms @ 350 W load, 115 VAC nominal line at factory voltage settings
Overload protection	Short circuit protection on all outputs. Case overload protected @ 110 - 145% above peak rating
Overvoltage protection	5 V output: 5.7 - 6.7 VDC. Other models 10% to 25% above nominal output

## Electrical Specifications

Logic Control	
Power failure	TTL logic signal goes high 50 - 150 msec after 5 V output. It goes low at least 4 msec before loss of regulation
Remote on/off	Requires an external contact (N.O or N.C) to inhibit outputs
DC-OK	TTL logic goes high 50 - 150 msec after 5 V output. It goes low when there is loss of regulation
Remote sense	Compensates for 0.5 V lead drop min. Will operate without remote sense connected. Reverse connection protected

## Environmental Specifications

Operating temperature	0° to 50°C ambient; derate each output at 2.5% per degree from 50° to 70 °C
Storage temperature	-40 °C to +85 °C
Temperature coefficient	± 0.4% per °C
Electromagnetic susceptibility	Designed to meet IEC 801, -2, -3, -4, -5, -6, Level 3
Humidity	Operating; non-condensing 5% to 95%
Vibration	Three orthogonal axes, sweep at 1 oct/min, 5 min. dwell at four major resonances 0.7 G peak 5Hz to 500Hz, operational
MTBF demonstrated:	> 550,000 hours at full load and 25 °C ambient conditions

## Ordering Information

Model Number	Output Voltage	Minimum Load	Maximum Load with Convection	Peak Load <sup>1</sup>	Regulation <sup>2</sup>	Ripple P/P (PARD) <sup>3</sup>
LPS352-C	5 V (3 - 6 V)	0 A	70 A	80 A	± 2%	50 mV
LPS353-C	12 V (6 - 12 V)	0 A	29.2 A	33 A	± 2%	120 mV
LPS354-C	15 V (12 - 24 V)	0 A	23.3 A	26 A	± 2%	150 mV
LPS355-C	24 V (24 - 48 V)	0 A	14.6 A	16 A	± 2%	240 mV

1. Peak current lasting < 30 seconds with a maximum 10% duty cycle.
2. At 25 °C including initial tolerance, line voltage, load currents and output voltages adjusted to factory settings.
3. Peak-to-peak with 20 MHz bandwidth and 10 µF in parallel with a 0.1 µF capacitor at rated line voltage and load ranges.
4. 4th output 3.3 - 24 V factory set at 5 V. If optional CF or CEF fans are not used, 30CFM forced air cooling needs to be provided and is required through the length of the power supply. Not convection rated.
5. Output voltage adjustment requires a 1A load.
6. Remote inhibit resets OVP latch.

Note: -CF suffix added to the model number indicates cover with fan,  
-CEF suffix added to model number indicates end-mounted fan chassis.

## Pin Assignments

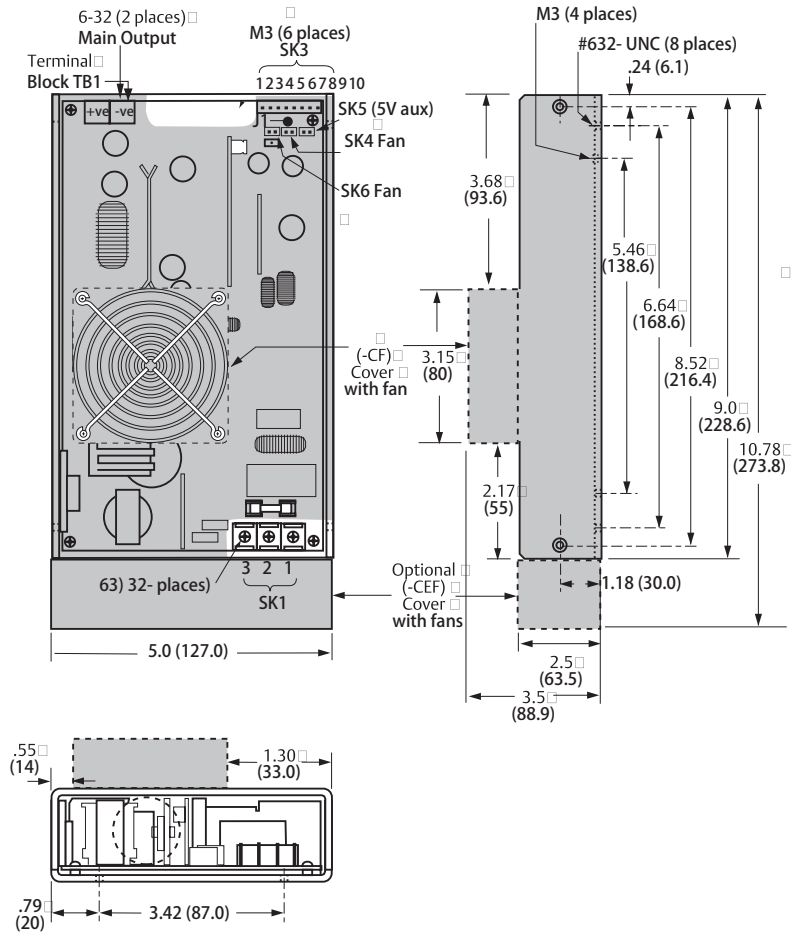
<b>SK1</b>	PIN 1	Neutral
	PIN 2	Line
	PIN 3	Ground
<b>SK3</b>	PIN 1	N/C
	PIN 2	N/C
	PIN 3	+ Sense
	PIN 4	- Sense
	PIN 5	POK
	PIN 6	C. Share
	PIN 7	DC - OK
<b>SK4</b>	PIN 8	Inhibit (N.O.)
	PIN 9	Inhibit (N.C.)
	PIN 10	COM
	PIN 1	+ Fan 1 (12V@150mA)
	PIN 2	- Common
	PIN 1	+ 5V aux (5V@100mA)
	PIN 2	- Common
	PIN 1	+ Fan 2 (12V@150mA)
	PIN 2	- Common
	PIN 2	- Common

## Mating Connectors

<b>SK3</b>	Molex: 22-01-1104
	PINS: 08-70-0057
<b>SK4</b>	Molex 22-01-3027
	PINS: 08-50-0114
<b>SK5</b>	Molex: 22-01-3027
	PINS: 08-50-0114
<b>SK6</b>	Molex: 22-01-3027
	PINS: 08-50-0114

Astec Connector Kit #70-841-011,  
includes all of the above.

Mechanical Drawing



Notes:

1. Specifications subject to change without notice.
2. All dimensions in inches (mm), tolerance is  $\pm .02"$ .
3. Specifications are at factory settings
4. To enable normally closed Remote Inhibit, cut jumper J1.
5. Mounting maximum insertion depth is 0.12".
6. Warranty: 2 year
7. Weight: 3.6 lb. / 1.64 kg.

WORLDWIDE OFFICES

Americas

2900 South Diablo Way  
Suite B100  
Tempe, AZ 85282, USA  
+1 888 412 7832

Europe (UK)

Ground Floor Offices, Barbary House  
4 Harbour Buildings, Waterfront West  
Brierley Hill, West Midlands  
DY5 1LN, UK  
+44 (0) 1384 842 211

Asia (HK)

14/F, Lu Plaza  
2 Wing Yip Street  
Kwun Tong, Kowloon  
Hong Kong  
+852 2176 3333

**ARTESYN**<sup>TM</sup>  
An Advanced Energy Company

www.artesyn.com

Artesyn Embedded Technologies, Artesyn Embedded Power, Artesyn, and all Artesyn related logos are trademarks and service marks of Artesyn Embedded Technologies, Inc. All other names and logos referred to are trade names, trademarks, or registered trademarks of their respective owners. Specifications are subject to change without notice. © 2020 Artesyn Embedded Technologies, Inc. All rights reserved. For full legal terms and conditions, please visit [www.artesyn.com/legal](http://www.artesyn.com/legal).

For more information: [www.artesyn.com](http://www.artesyn.com)  
For support: [productsupport.ep@artesyn.com](mailto:productsupport.ep@artesyn.com)

LPS350 Series DS 25May2020