

PART NUMBERING SYSTEM

OBO-TE 27 3 44 -18

Material identification

Appropriate oscillating frequency, unit : 100Hz

ex. 700Hz numbering by 07

4,400Hz numbering by 44

For electrode driving

2 : without feedback electrode (External drive type)

3 : with feedback electrode (Self drive type)

Diameter of of plate

Special requirement

TE : for regular piezo ceramic element only

TW : for piezo ceramic soldering with lead wires

SE : element for speaker application

SW : Speaker element soldering with lead wires

RE : element for Telephone Receiver application

RW : Receiver element solering with lead wires

蜂鳴片產品編號原則

OBO-TE 27 3 44 -18

振動板材料類別

表示共振頻率：單位100Hz

例：700Hz以07表示

1,200Hz以12表示

4,400Hz以44表示

表示外部驅動式：2（二接點）

表示自激式：3（三接點）

表示金屬片外徑，單位m/m（四捨五入）

特殊類別

TE : 表示蜂鳴器用蜂鳴片

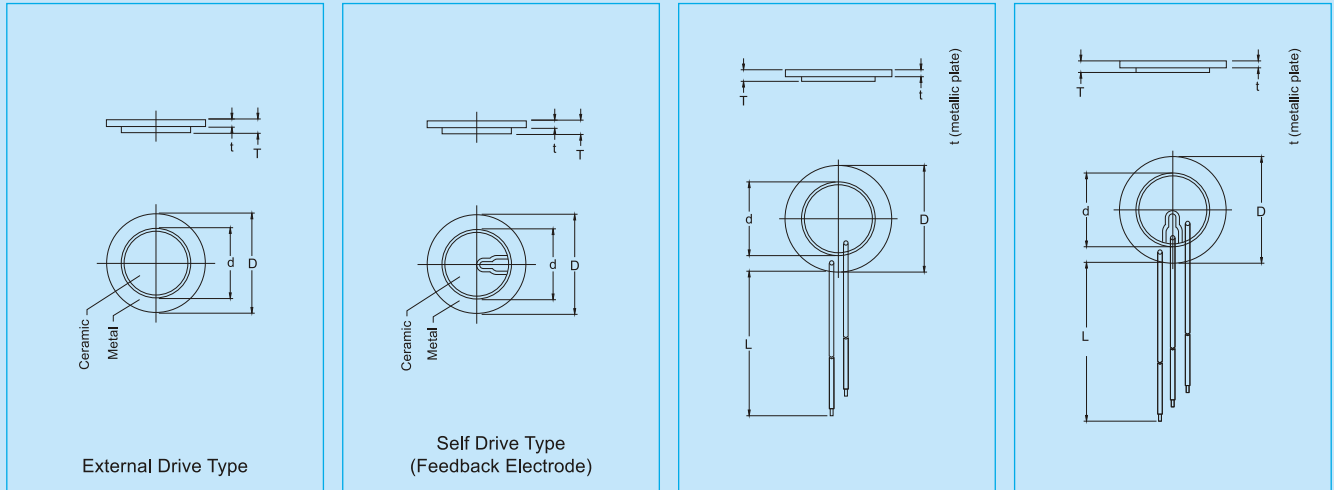
TW : 表示蜂鳴片焊線

SE : 表示喇叭用途之蜂鳴片（含高音喇叭）

SW : SE焊線

RE : 表示受話器用蜂鳴片

RW : RE焊線



1. Input Voltage : operating AC voltage only.
2. It's available to supply the piezo element with lead wires. Please specify the P/N by "TW" instead of "TE" and the wire length you required.
ex. OBO-TW15230-16 w/lead wires 85±5m long. (# Dia. 11-12mm elements are not available with lead wire.)

PIEZOELECTRIC CERAMIC ELEMENT

MODEL NO.	RESONANT FREQUENCY (KHZ)	RESONANT FREQUENCY (max. Ω)	CAPACITANCE (PF)	DIMENSIONS(mm)				PLATE
				D	d	T	t	
OBO-TE15241-16	4.1+0.6/-0	500	21,000±30%	15.00	11.30	0.17	0.10	Brass
OBO-TE15260-16	6.0±0.6	500	14,000±30%	15.00	11.30	0.22	0.10	Brass
OBO-TE18236-16	3.6±0.5	1,000	14,000±30%	18.00	11.30	0.23	0.10	Brass
OBO-TE20239-16	3.9±0.5	400	25,000±30%	20.00	15.00	0.22	0.10	Brass
OBO-TE20265-16	6.5±0.5	350	12,000±30%	20.00	14.80	0.40	0.20	Brass
OBO-TE21222-16	2.2±0.5	500	38,000±30%	21.00	14.80	0.18	0.10	Brass
OBO-TE21334-16	3.4±0.5	500	18,000±30%	21.00	14.80	0.22	0.10	Brass
OBO-TE27226-16	2.6±0.3	300	45,000±30%	27.00	19.80	0.28	0.15	Brass
OBO-TE27234-16	3.4±0.5	400	24,000±30%	27.00	19.80	0.40	0.20	Brass
OBO-TE27241-16	4.1±0.5	300	20,000±30%	27.00	19.80	0.45	0.22	Brass
OBO-TE27326-16	2.6±0.4	400	33,000±30%	27.00	19.80	0.32	0.20	Brass
OBO-TE27335-16	3.5±0.4	400	19,000±30%	27.00	19.80	0.42	0.20	Brass
OBO-TE27340-16	4.0±0.5	500	17,000±30%	27.00	19.80	0.48	0.25	Brass
OBO-TE31213-26	1.3±0.3	500	47,000±30%	31.00	19.80	0.22	0.10	Ni-alloy
OBO-TE31216-16	1.6±0.3	1,000	40,000±30%	31.00	19.80	0.22	0.10	Brass
OBO-TE32211-16	1.1±0.3	500	47,000±30%	32.00	19.80	0.22	0.10	Ni-alloy
OBO-TE35211-16	1.1±0.5	1,200	72,000±30%	35.00	24.80	0.23	0.10	Brass
OBO-TE35229-16	2.9±0.4	300	30,000±30%	35.00	24.80	0.58	0.30	Brass
OBO-TE35329-46	2.9±0.4	350	26,000±30%	35.00	24.80	0.58	0.30	Brass
OBO-TE35334-36	3.4±0.5	250	35,000±30%	35.00	24.80	0.58	0.40	SUS
OBO-TE35339-46	2.9±0.5	200	25,000±30%	35.00	25.00	0.50	0.25	Tin
OBO-TE50228-16	2.8±0.5	400	35,000±30%	50.00	25.00	0.42	0.20	Brass