

VXR SERIES

105°C 7000 hours, Snap-in Terminal Type.

◆FEATURES

- Load Life : 105°C 7000hours.
- RoHS compliance.



◆SPECIFICATIONS

Items	Characteristics		
Category Temperature Range	-25~ +105°C		
Rated Voltage Range	160~450V.DC		
Capacitance Tolerance	±20% (20°C, 120Hz)		
Leakage Current(MAX)	$I=3\sqrt{CV}$ (After 5 minutes application of rated voltage) I =Leakage Current(µA) C =Rated Capacitance(µF) V =Rated Voltage(V)		
(tanδ) Dissipation Factor(MAX)	Rated Voltage (V)	160~250	315~450
	tan δ	0.15	0.20
Low Temperature Stability Impedance Ratio(MAX)	Rated Voltage (V)	160~250	315~450
	Z(-25°C)/Z(20°C)	3	8
Endurance	After applying rated voltage with rated ripple current for 7000hrs at 105°C, the capacitors shall meet the following requirements.		
	Capacitance Change	Within ±20% of the initial value.	
	Dissipation Factor	Not more than 200% of the specified value.	
	Leakage Current	Not more than the specified value.	

◆MULTIPLIER FOR RIPPLE CURRENT

Frequency coefficient

Frequency (Hz)	60(50)	120	500	1k	10k ≤	
Coefficient	160~250WV	0.80	1.00	1.20	1.30	1.50
	315~450WV	0.80	1.00	1.20	1.25	1.40

◆PART NUMBER

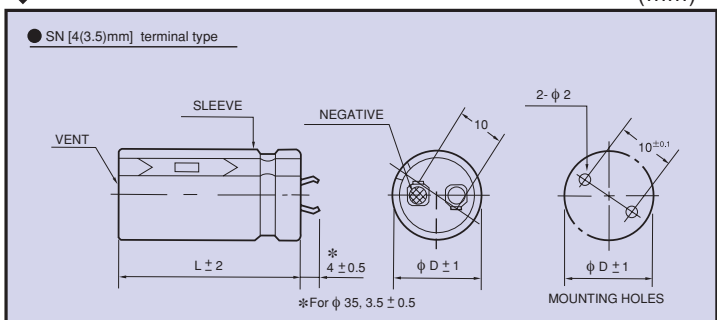
 VXR SN DXL
 Rated Voltage Series Rated Capacitance Capacitance Tolerance Option Terminal Code Case Size

◆Option

	Code
PET Sleeve without plate	EFC
PVC Sleeve without plate	OOE
PVC Sleeve with plate	Blank

◆DIMENSIONS

(mm)



◆ STANDARD SIZE

Cap (μ F)	WV ϕ D	160				180			
		ϕ 22	ϕ 25	ϕ 30	ϕ 35	ϕ 22	ϕ 25	ϕ 30	ϕ 35
220						22 × 25: 1.00			
270		22 × 25: 1.10				22 × 25: 1.10			
330		22 × 25: 1.20				22 × 30: 1.20	25 × 25: 1.20		
390		22 × 30: 1.30	25 × 25: 1.30			22 × 30: 1.30	25 × 25: 1.30		
470		22 × 35: 1.40	25 × 30: 1.40			22 × 35: 1.40	25 × 30: 1.40	30 × 25: 1.40	
560		22 × 40: 1.50	25 × 30: 1.50	30 × 25: 1.50		22 × 40: 1.50	25 × 35: 1.50	30 × 25: 1.50	
680		22 × 45: 1.70	25 × 35: 1.70	30 × 30: 1.70		22 × 45: 1.70	25 × 35: 1.70	30 × 30: 1.70	
820		22 × 50: 2.00	25 × 40: 2.00	30 × 30: 2.00			25 × 40: 2.00	30 × 35: 2.00	35 × 30: 2.00
1000			25 × 45: 2.20	30 × 35: 2.20	35 × 30: 2.20		25 × 50: 2.20	30 × 35: 2.20	35 × 30: 2.20
1200			25 × 50: 2.30	30 × 40: 2.30	35 × 35: 2.30			30 × 40: 2.30	35 × 35: 2.30
1500				30 × 45: 2.50	35 × 35: 2.50			30 × 50: 2.50	35 × 40: 2.50
1800				30 × 50: 2.70	35 × 40: 2.70				35 × 45: 2.70
2200					35 × 45: 2.90				35 × 50: 2.90

Cap (μ F)	WV ϕ D	200				250			
		ϕ 22	ϕ 25	ϕ 30	ϕ 35	ϕ 22	ϕ 25	ϕ 30	ϕ 35
180						22 × 25: 0.90	25 × 25: 0.90		
220		22 × 25: 1.00				22 × 30: 1.00	25 × 25: 1.00		
270		22 × 30: 1.10	25 × 25: 1.10			22 × 35: 1.10	25 × 30: 1.10	30 × 25: 1.10	
330		22 × 30: 1.20	25 × 25: 1.20			22 × 40: 1.20	25 × 30: 1.20	30 × 25: 1.20	
390		22 × 35: 1.30	25 × 30: 1.30	30 × 25: 1.30		22 × 45: 1.30	25 × 35: 1.30	30 × 30: 1.30	
470		22 × 40: 1.40	25 × 35: 1.40	30 × 25: 1.40		22 × 50: 1.40	25 × 40: 1.40	30 × 30: 1.40	35 × 30: 1.40
560		22 × 45: 1.50	25 × 35: 1.50	30 × 30: 1.50			25 × 45: 1.50	30 × 35: 1.50	35 × 30: 1.50
680		22 × 50: 1.70	25 × 40: 1.70	30 × 30: 1.70			25 × 50: 1.70	30 × 40: 1.70	35 × 35: 1.70
820			25 × 45: 2.00	30 × 35: 2.00	35 × 30: 2.00			30 × 45: 2.00	35 × 35: 2.00
1000				30 × 40: 2.20	35 × 35: 2.20			30 × 50: 2.20	35 × 40: 2.20
1200				30 × 45: 2.30	35 × 40: 2.30				35 × 45: 2.30
1500					35 × 50: 2.50				

Cap (μ F)	WV ϕ D	315				350			
		ϕ 22	ϕ 25	ϕ 30	ϕ 35	ϕ 22	ϕ 25	ϕ 30	ϕ 35
82		22 × 25: 0.64				22 × 25: 0.64			
100		22 × 30: 0.69				22 × 30: 0.69	25 × 25: 0.69		
120		22 × 30: 0.75	25 × 25: 0.75			22 × 35: 0.75	25 × 30: 0.75		
150		22 × 35: 0.82	25 × 30: 0.82	30 × 25: 0.82		22 × 40: 0.82	25 × 30: 0.82	30 × 25: 0.82	
180		22 × 40: 0.90	25 × 30: 0.90	30 × 25: 0.90		22 × 45: 0.90	25 × 35: 0.90	30 × 30: 0.90	
220		22 × 45: 1.00	25 × 35: 1.00	30 × 30: 1.00		22 × 50: 1.00	25 × 40: 1.00	30 × 30: 1.00	
270			25 × 40: 1.10	30 × 35: 1.10	35 × 30: 1.10		25 × 45: 1.10	30 × 35: 1.10	35 × 30: 1.10
330			25 × 50: 1.20	30 × 40: 1.20	35 × 30: 1.20			30 × 40: 1.20	35 × 35: 1.20
390				30 × 40: 1.30	35 × 35: 1.30			30 × 45: 1.30	35 × 35: 1.30
470				30 × 45: 1.40	35 × 40: 1.40			30 × 50: 1.40	35 × 40: 1.40
560					35 × 45: 1.50				35 × 50: 1.50
680					35 × 50: 1.70				

Cap (μ F)	WV ϕ D	400				450			
		ϕ 22	ϕ 25	ϕ 30	ϕ 35	ϕ 22	ϕ 25	ϕ 30	ϕ 35
39						22 × 25: 0.37			
47						22 × 30: 0.40			
56		22 × 25: 0.51				22 × 35: 0.47	25 × 25: 0.47		
68		22 × 30: 0.56	25 × 25: 0.56			22 × 40: 0.53	25 × 30: 0.53		
82		22 × 30: 0.64	25 × 25: 0.64			22 × 45: 0.56	25 × 35: 0.56	30 × 25: 0.56	
100		22 × 35: 0.69	25 × 30: 0.69			22 × 50: 0.64	25 × 40: 0.64	30 × 30: 0.64	
120		22 × 40: 0.75	25 × 30: 0.75	30 × 25: 0.75			25 × 45: 0.72	30 × 30: 0.72	
150		22 × 45: 0.82	25 × 35: 0.82	30 × 30: 0.82			25 × 50: 0.79	30 × 40: 0.79	35 × 30: 0.79
180		22 × 50: 0.90	25 × 40: 0.90	30 × 30: 0.90	35 × 25: 0.90			30 × 45: 0.87	35 × 35: 0.87
220			25 × 45: 1.00	30 × 35: 1.00	35 × 30: 1.00			30 × 50: 1.00	35 × 40: 1.00
270				30 × 40: 1.10	35 × 35: 1.10				35 × 45: 1.19
330				30 × 45: 1.20	35 × 40: 1.20				35 × 50: 1.38
390					35 × 45: 1.30				
470					35 × 50: 1.40				

 Case Size ϕ D × L (mm) ↑

↑ Ripple Current (A r.m.s./120Hz, 105°C)